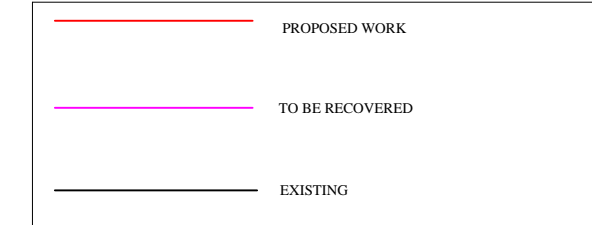
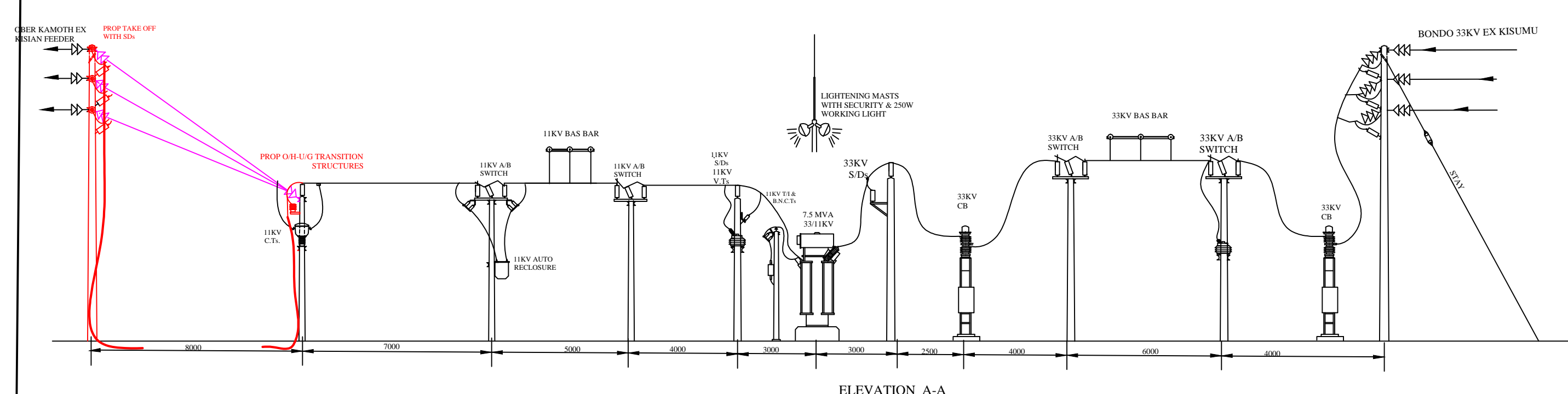
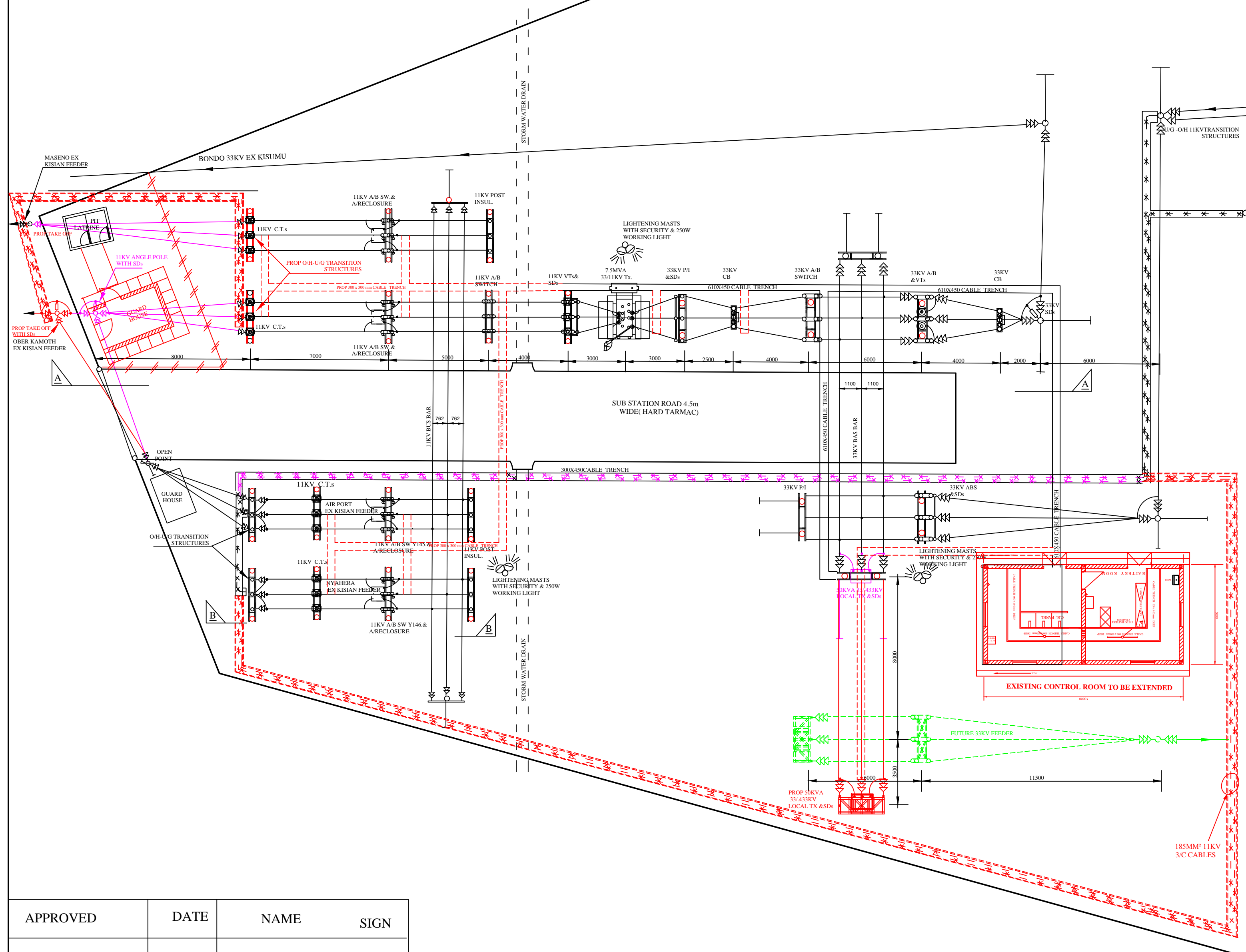


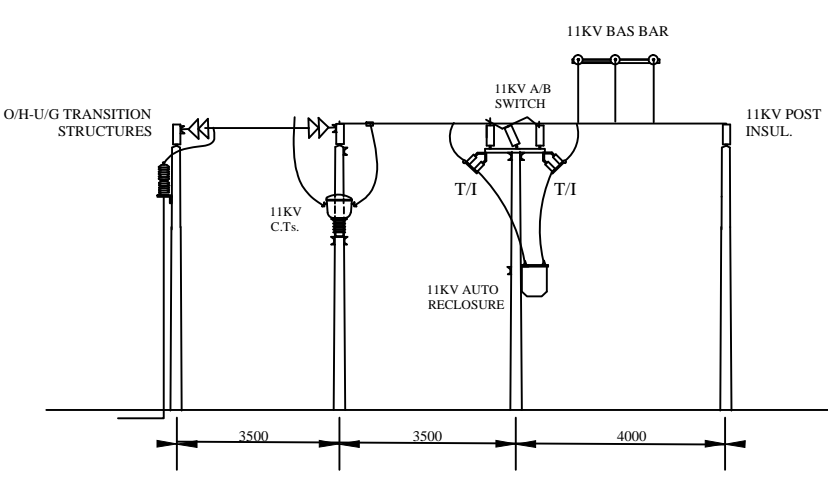
LEGEND



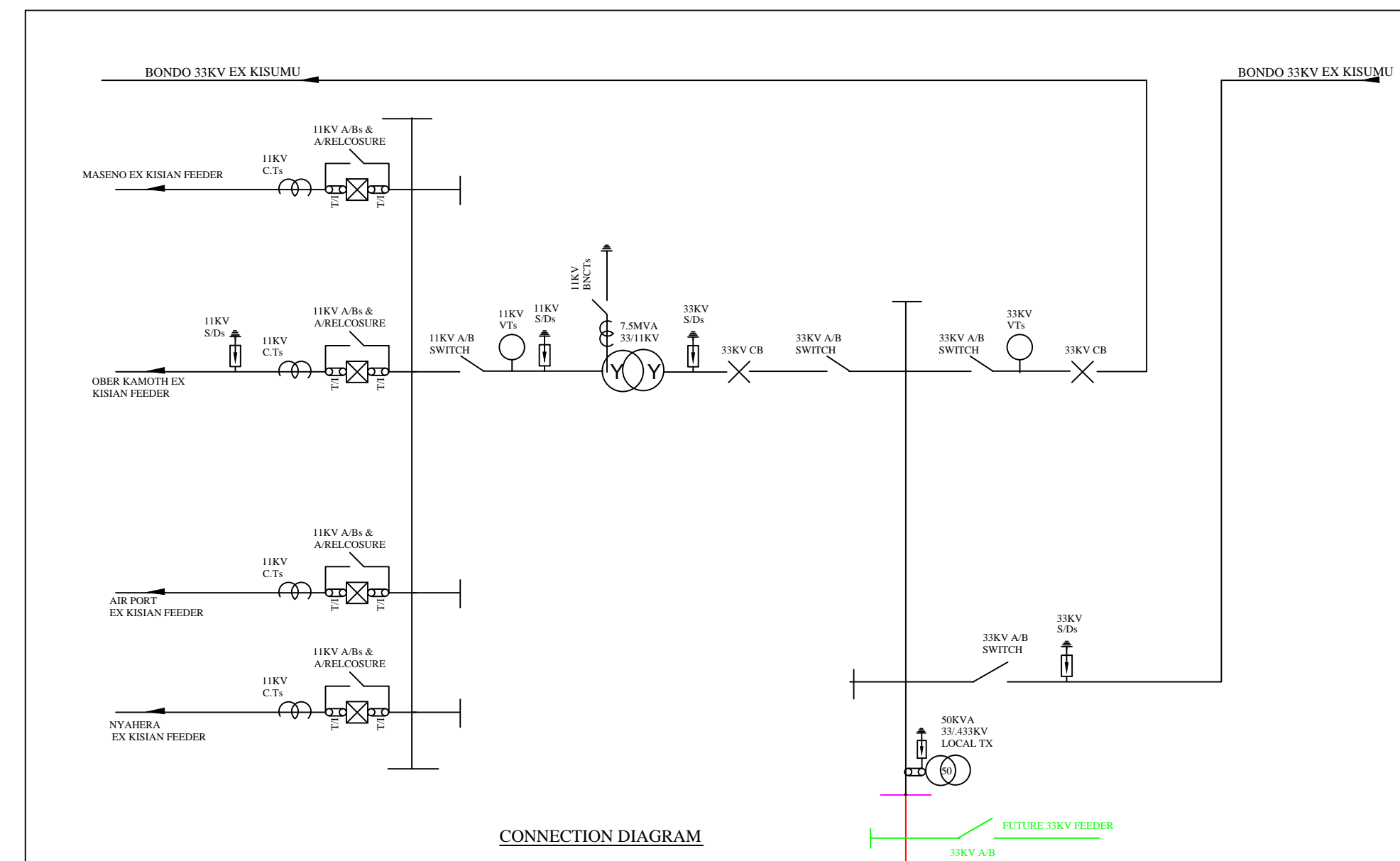
NOTE
REPLACE EXISTING POLES WITH STEEL STRUCTURES



ELEVATION A-A



ELEVATION B-B



CONNECTION DIAGRAM

APPROVED	DATE	NAME	SIGN
CHECKED ENGINEER I/C		VINCENT	
CHECKED PRINCIPAL D'MAN		L.OBARO	
CHECKED SURVEYOR			
CHECKED PRINCIPA SURVEYOR			
DRAWN	07/10/2015	JASPER	

REF.	REVISION
1	
2	
3	
4	
5	
6	

GENERAL ARRANGEMENT OF 7.5MVA 33/11KV KISIAN S/STN.

SCALE 1:150

KENYA POWER
SK. No. 09693